

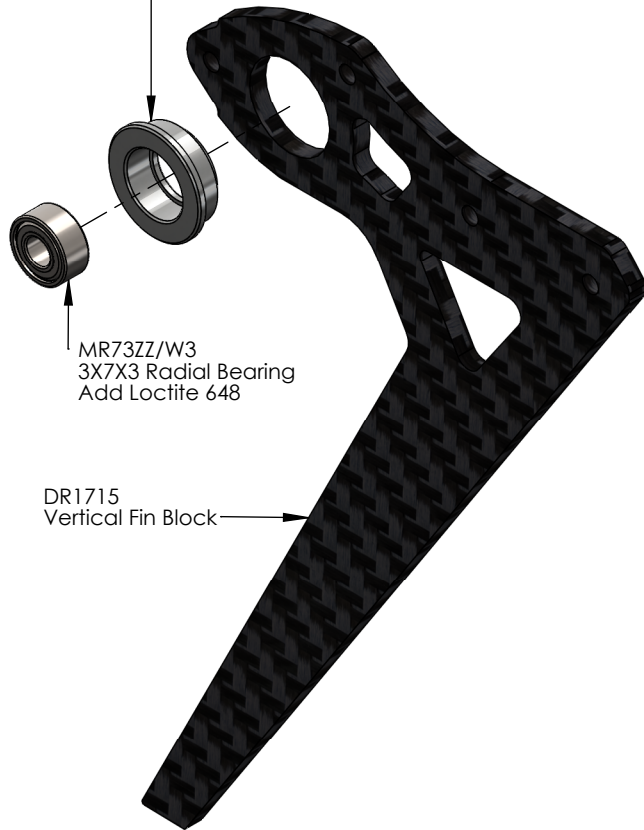
LX1604 OXY3 - Pro Edition Vertical Fin - Silver
LX1607 OXY3 - Pro Edition Vertical Fin - Red
LX1608 OXY3 - Pro Edition Vertical Fin - Black

Assembly finish



Note: pay attention bearing bushing position as shown before adding super glue

DR1716
Tail Case - Bearing Bushing
Add super glue



MR73ZZ/W3
3X7X3 Radial Bearing
Add Loctite 648

DR1715
Vertical Fin Block

2 x TCEM2X5
Hex Cup Screw M2X5
Loctite 242

