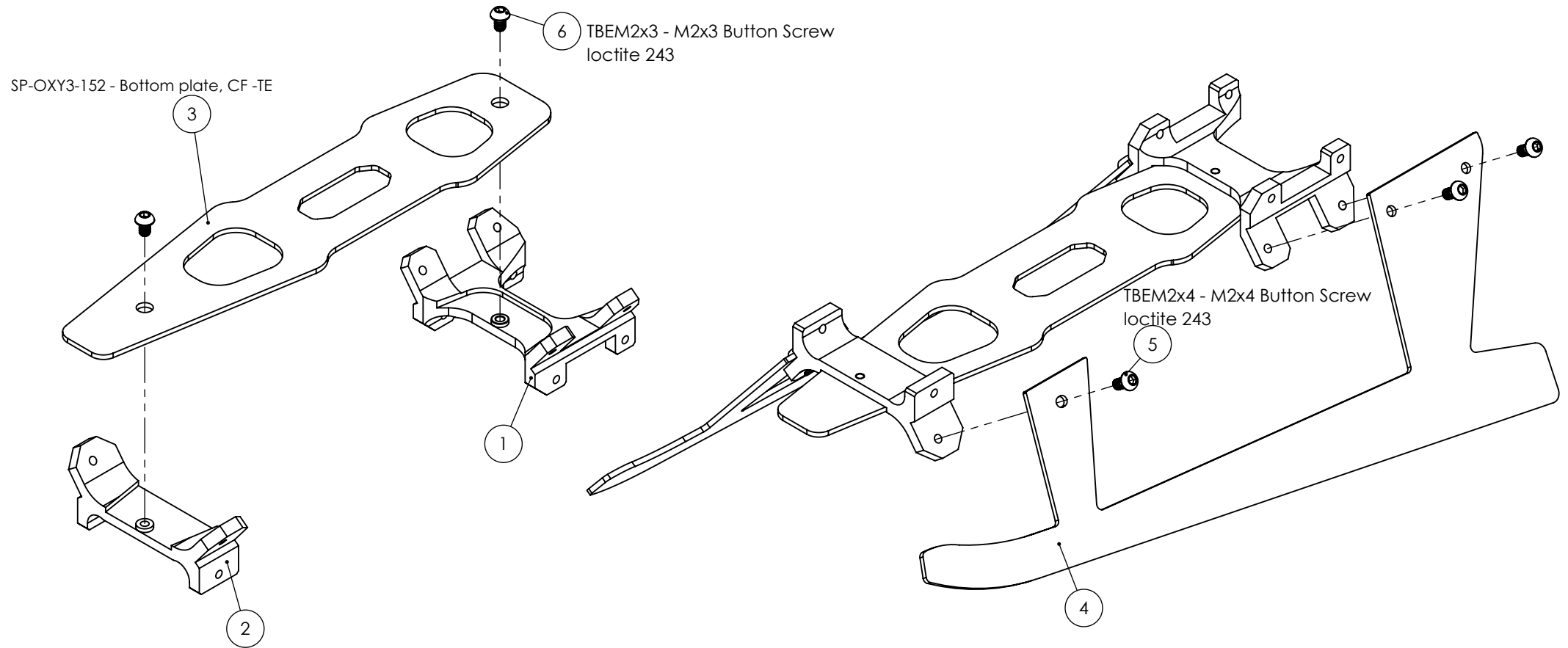


SP-OXY3-150 - OXY3 TE - Aluminum Landing Gear V2

pay attention : if your TE kit didn't come with this newversion of landing gear support, you must buy one more SP-OXY3-152 - OXY3 TE Bottom plate, CF -TE to complete your installation



ITEM NO.	PartNo	DESCRIPTION	QTY.
1	DR1682-3	back landing gear support - Black	1
2	DR1681	front landing gear support - Black	1
3	SP-OXY3-152	OXY3 TE Bottom plate, CF -TE	1
4	DR1683	LANDING GEAR SKID	2
5	TBEM2X4	M2X4 BOTTOM SCREW	6
6	TBEM2X3	M2X3 BOTTOM SCREW	2