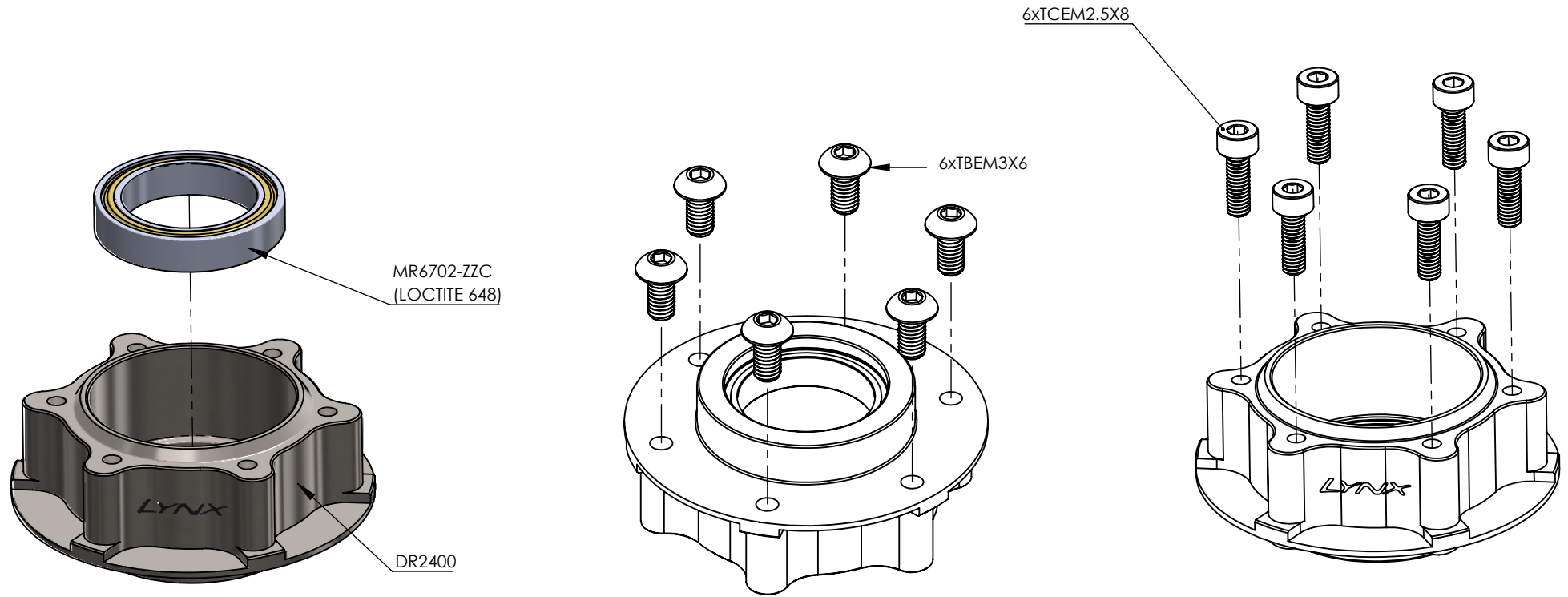


LX1950 - Trex 700 Main Gear Hub - User Manual



Note: Don't use loctite for all screw

ITEM NO.	PartNo	DESCRIPTION	QTY.
1	DR2400	Trex 700 Main Gear Hub	1
2	MR6702_ZZC	15x21x4 Radial Bearing	1
3	TBEM3X6	M3X6 Button Screw	6
4	TCEM2.5x8	M2.5X8 Hex Cap Screw	6