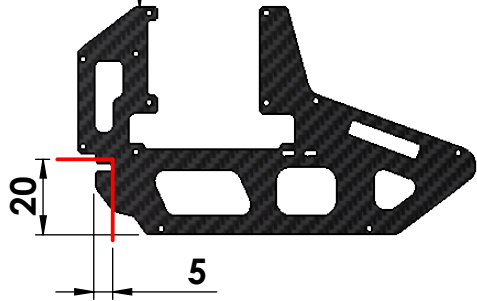


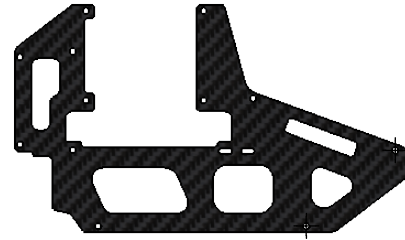
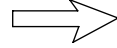
LX1732 180 CFX - H3060 Tail servo adapter

STEP 1

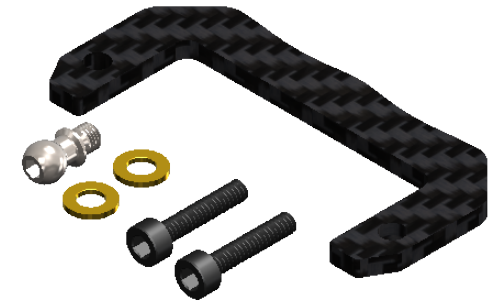
STD frame



Cut this area with the demention as shown



View

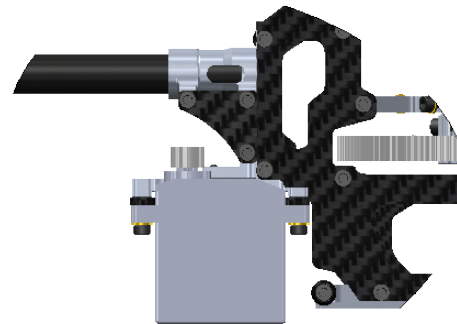
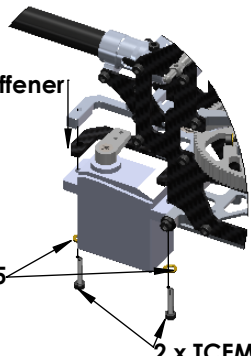


STEP 2

DR1848
180 CFX - H0360 Servo stiffener

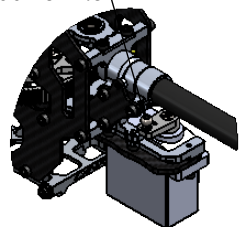
2 x DR1407
Washer 2x3.8x0.45

2 x TCEM1.6X8
Hex cup screw M1.6x8



STEP 3

DR0196
Link ball 3X2.5



Note: Using this ball when you use
LX1577 - 180CFX - CF Tail Push Rod STD Length, Set.



Not supported