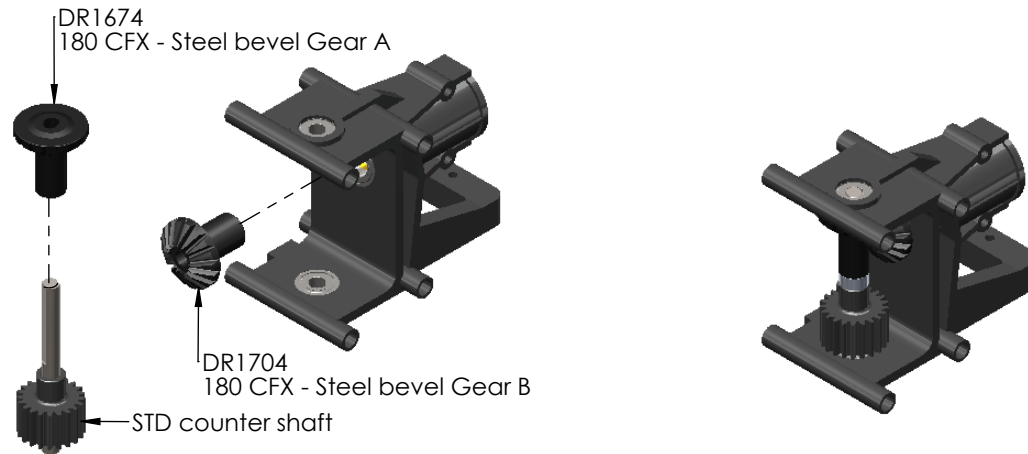


**LX1528 180 CFX - CARBON STEEL BEVEL GEAR A + B, SET**

**USE FOR FRONT GEAR CASE**

**STEP 1**



**View**

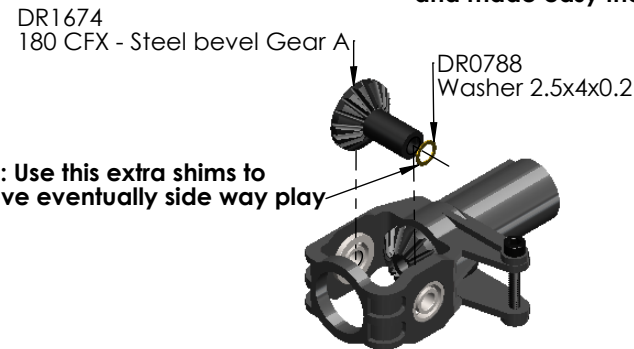


**USE FOR TAIL CASE**

**STEP 1**



**STEP 2**



**Extra A gear shims installation tips:**  
add little bit amount of grease to keep attached the shims to the gear and made easy the install.

**NOTE: Use this extra shims to remove eventually side way play**

**NOTE**

**STEP 3**



**NOTE: Use this extra shims to remove eventually side way play**