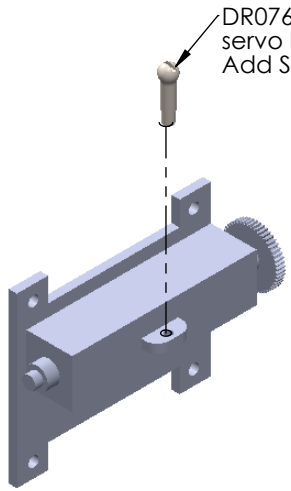


LX0816 130X - LINEAR SERVO SUPPORT X CARBON PUSH ROD - SILVER  
 LX0817 130X - LINEAR SERVO SUPPORT X CARBON PUSH ROD - red

**STEP 1**

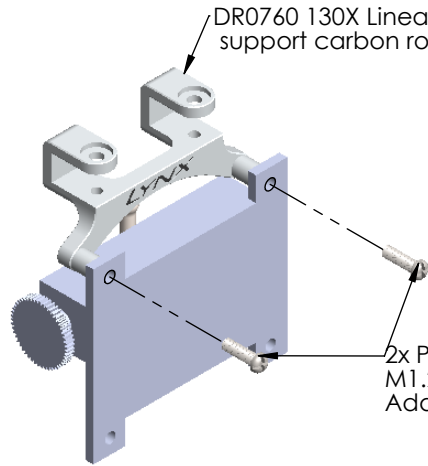
DR0763 130X Linear servo linkage ball  
 Add Super glue cyanoacrylate



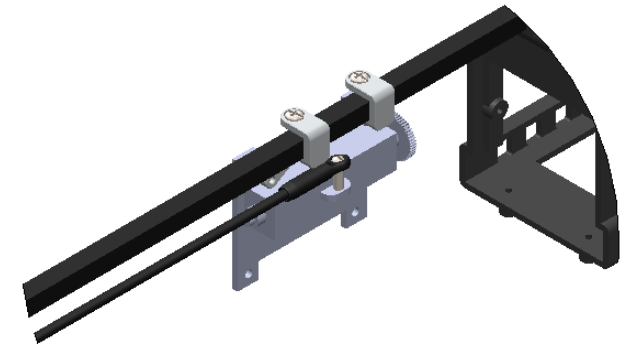
**STEP 2**

DR0760 130X Linear servo support carbon rod

2x PAN11.2x4  
 M1.2x4Pan head screw  
 Add Loctite 242

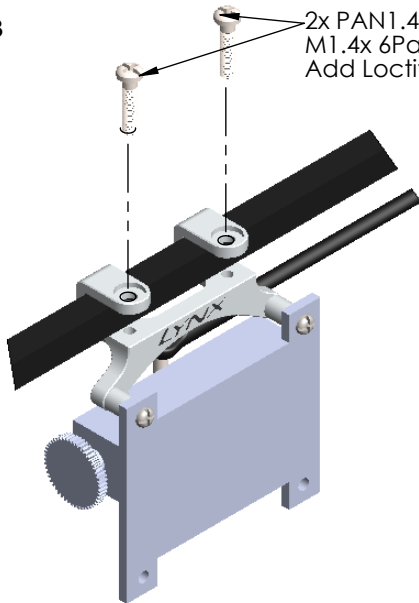


Assembly finish



**STEP 3**

2x PAN1.4x6  
 M1.4x6Pan head screw  
 Add Loctite 242



Assembly note