

STEP 1:

Remove the screw and servo lever.



STEP 2:

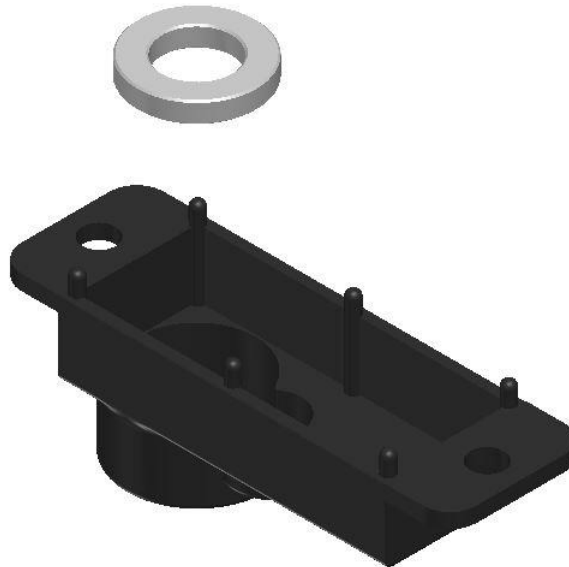
Pushing on the output gear, remove the servo gear cover only!

Potentiometer centering will not possible if you remove the output gear before it's aligned.



STEP 3:

Make sure to remove the plastic gear washer from the servo gear cover! It might also be left on the plastic output gear shaft. Set this part aside it will not be reuse.



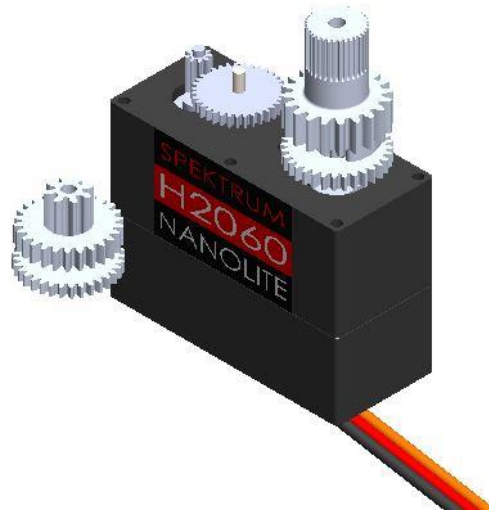
STEP 4:

Using pliers carefully remove the center gear pin keep this pin for final assembly.



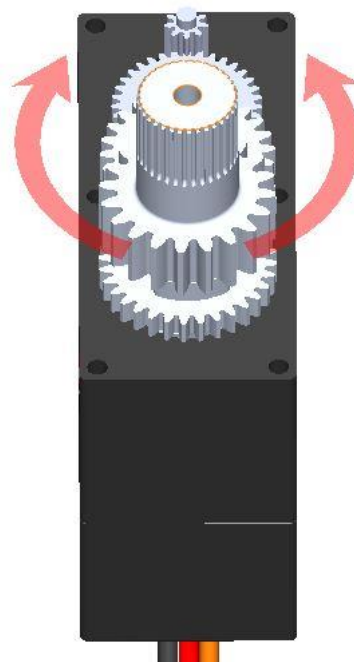
STEP 5:

Using your fingers, slide the plastic part center gear out sideways and set it aside, it will not be reuse.



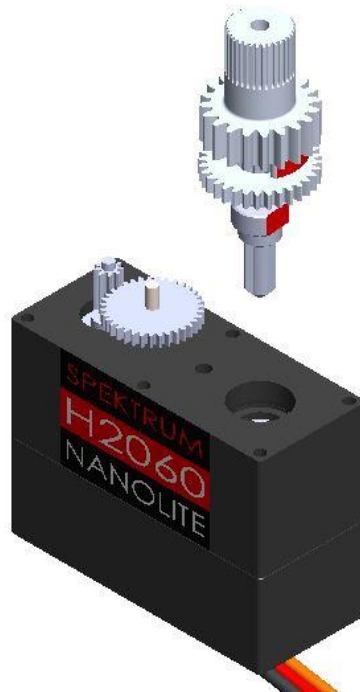
STEP 6:

Output gear phasing setting: before you remove the plastic output gear, rotate it so the lock tooth and flat spot are centered to the side of the case as show, this operation is many mandatory for proper potentiometer centering during installation.



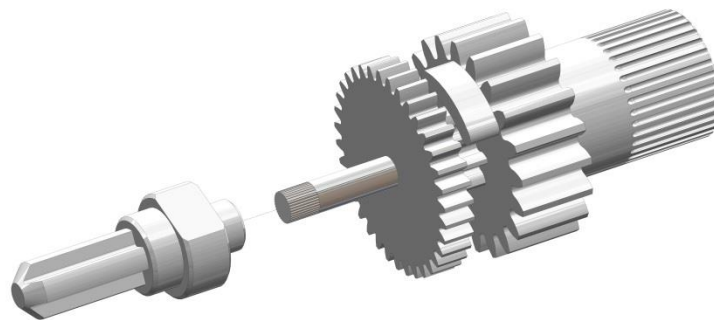
STEP 7:

Remove plastic output servo gear pulling it out.



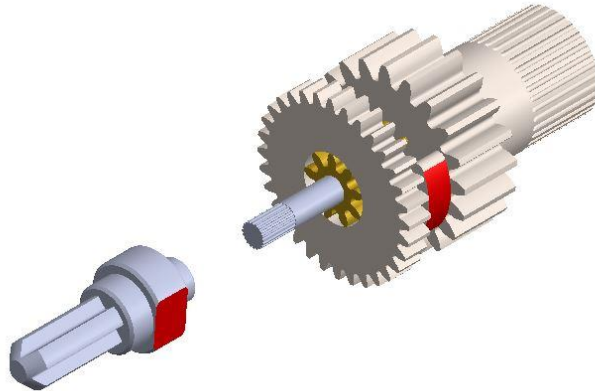
STEP 8:

Using fliers carefully remove the potentiometer pin from standard plastic output gear. Keep standard potentiometer pin for final assembly.



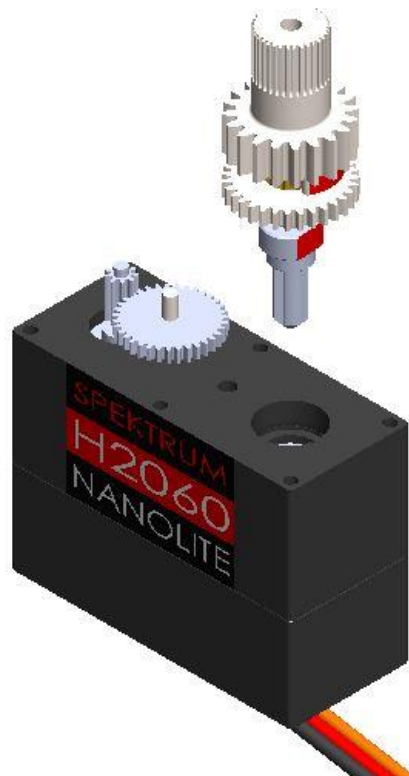
STEP 9:

With this step we start reassembly with the Lynx ultra-metal gear set. Reuse the standard potentiometer pin. Follow instruction for phasing alignment and completely insert the Lynx output gear shaft into the standard potentiometer pin.

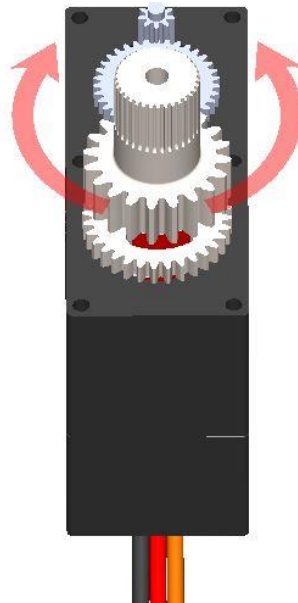


STEP 10:

Align the tooth and flat spot on the Lynx output gear to the center of the servo case side, the reverse operation how you removed it, carefully insert the potentiometer pin into its socket.

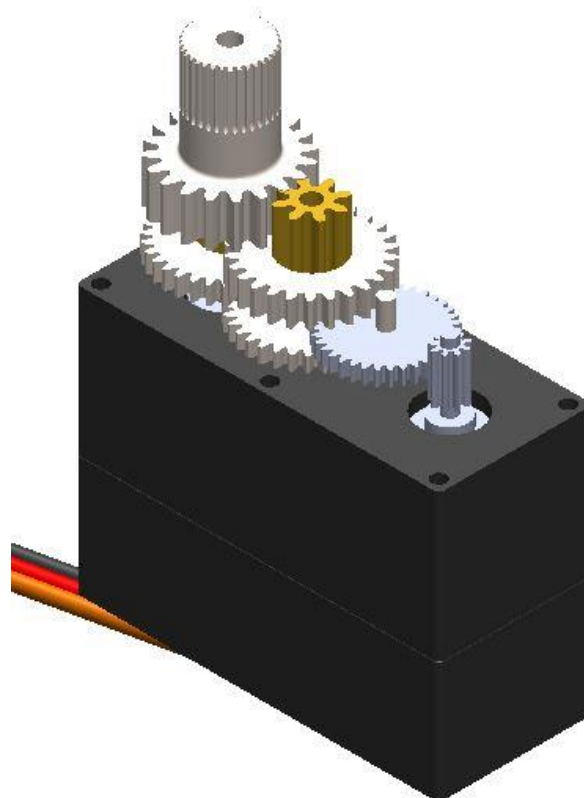
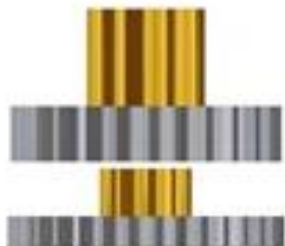


Without rotating the Lynx output gear check alignment between the thick teeth, flat spot must be centered to the side of the servo case.



STEP 11:

Install the Lynx center metal gear sliding the set in sideways.



STEP 12:

With this step we install the follow parts:

Center gear pin (reuse the standard one previously removed)



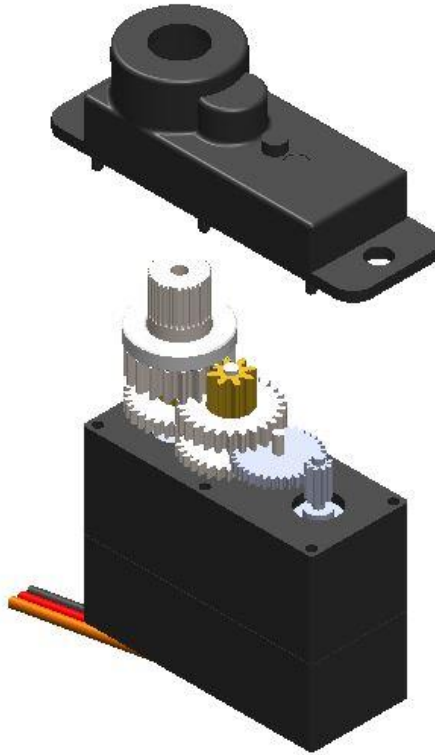
- Lynx brass shim
- Lynx plastic washer



STEP 13:

Install servo gear cover

Add little layer of silicone grease on the servo gear.



After finishing the servo assembly, test the servo for proper functions.

Lynx suggest use a standard servo tester and run a full servo test.

For more information about this product and manual please contact us at service@lynxheli.com.

Lynx Heli Innovations Team